

**STATE OF ALABAMA
DEPARTMENT OF INSURANCE
MONTGOMERY, ALABAMA**

REPORT OF EXAMINATION

**ALFA INSURANCE CORPORATION
MONTGOMERY, ALABAMA**

AS OF

DECEMBER 31, 2021

TABLE OF CONTENTS

EXAMINER'S AFFIDAVIT	iii
SALUTATION	1
SCOPE OF EXAMINATION	2
ORGANIZATION AND HISTORY	4
MANAGEMENT AND CONTROL	5
Stockholders	5
Board of Directors	5
Committees	6
Officers	6
Conflicts of Interest	7
CORPORATE RECORDS	7
HOLDING COMPANY AND AFFILIATE MATTERS	8
Holding Company	8
Dividends to Stockholders	8
Management and Service Agreements	8
Organizational Chart	10
PENSION, STOCK OWNERSHIP, AND INSURANCE PLANS	12
SCHEDULE OF SPECIAL DEPOSITS	12
FINANCIAL CONDITION / GROWTH OF THE COMPANY	12
MARKET CONDUCT ACTIVITIES	12
Plan of Operation	12
Territory	13
Underwriting and Rating	13
Marketing and Sales	13
Claims Review	13
Complaint Handling	13
Producers' Licensing	14
Privacy	14
REINSURANCE	14
Intercompany Pooling Agreement	14
Reinsurance Assumed	15
Reinsurance Ceded	15
ACCOUNTS AND RECORDS	17

FINANCIAL STATEMENT INDEX19
NOTES TO FINANCIAL STATEMENTS 24
CONTINGENT LIABILITIES AND PENDING LITIGATION 24
SUBSEQUENT EVENTS..... 24
COMPLIANCE WITH PREVIOUS RECOMMENDATIONS 25
COMMENTS AND RECOMMENDATIONS 25
CONCLUSION 26

EXAMINER'S AFFIDAVIT

**STATE OF NORTH CAROLINA
COUNTY OF GUILFORD**

Dan McBay, CFE, CPA, CGMA, ARe, being duly sworn, states as follows:

1. I have authority to represent Alabama in the examination of Alfa Insurance Corporation.
2. Alabama is accredited under the National Association of Insurance Commissioners Financial Regulation Standards and Accreditation.
3. I have reviewed the examination workpapers and examination report, and the examination of Alfa Insurance Corporation was performed in a manner consistent with the standards and procedures required by the State of Alabama.

The affiant says nothing further.

Dan McBay
Dan McBay, CFE, CPA, CGMA, ARe
Examiner-in-Charge

Subscribed and sworn before me by Dan McBay on this 19th day of January 2023.

(SEAL)

[Signature]
(Signature of Notary Public)

My commission expires 3-25-2023



KAY IVEY
GOVERNOR

MARK FOWLER
COMMISSIONER

STATE OF ALABAMA
DEPARTMENT OF INSURANCE
201 MONROE STREET, SUITE 502
POST OFFICE BOX 303351
MONTGOMERY, ALABAMA 36130-3351
TELEPHONE: (334) 269-3550
FACSIMILE: (334) 241-4192
INTERNET: www.aldoi.gov

DEPUTY COMMISSIONER
JIMMY W. GUNN
CHIEF EXAMINER
SHEILA TRAVIS
STATE FIRE MARSHAL
SCOTT F. PILGREEN
GENERAL COUNSEL
REYN NORMAN

January 19, 2023

Mark Fowler, Commissioner
State of Alabama
Department of Insurance
201 Monroe Street, Suite 502
Montgomery, Alabama 36104

Dear Commissioner Fowler:

Pursuant to former Commissioner Riding's authorization and in compliance with the statutory requirements of the State of Alabama and resolutions adopted by the National Association of Insurance Commissioners (NAIC), an examination has been made of the affairs and financial condition of

**Alfa Insurance Corporation
Montgomery, Alabama**

as of December 31, 2021, at its home office located at 2108 East South Boulevard, Montgomery, Alabama 36116, and remotely at the Alabama Department of Insurance. The report of examination is submitted herewith.

Where the description "Company" or "AIC" appears herein, without qualification, it will be understood to indicate Alfa Insurance Corporation.

SCOPE OF EXAMINATION

We have performed our multi-state examination of Alfa Insurance Corporation (AIC). The last examination covered the period of January 1, 2012 through December 31, 2016. This examination covers the period of January 1, 2017 through December 31, 2021.

The examination was conducted in accordance with the NAIC *Financial Condition Examiners Handbook*. The Handbook requires that we plan and perform the examination to evaluate the financial condition, assess corporate governance, identify current and prospective risks of the Company, and evaluate system controls and procedures used to mitigate those risks. The examination also includes identifying and evaluating significant risks that could cause an insurer's surplus to be materially misstated both currently and prospectively.

The examination was conducted as a coordinated examination with the following affiliated companies: Alfa Mutual Insurance Company (AMIC) of Alabama, Alfa Mutual Fire Insurance Company (AMFIC) of Alabama, Alfa Mutual General Insurance Company (AMGIC) of Alabama, Alfa General Insurance Corporation (AGIC) of Alabama, Alfa Life Insurance Corporation (ALIC) of Alabama, Trexis Insurance Corporation (TIC) of Virginia, Trexis One Insurance Corporation (TOIC) of Virginia, and Alfa Alliance Insurance Corporation (AAIC) of Virginia. These companies were coordinated with the Company's five-year examination with Alabama being the lead state. During planning, examiners from Alabama and Virginia interviewed the members of management and reviewed lines of business and systems utilized to determine what areas would be coordinated. The key activities to be coordinated fully with the two states were Investments, Related Party, Reinsurance Assuming, and Reinsurance Ceding. The other key activities determined to be examined were Reserves/Claims Handling and Underwriting/Premiums. In addition, the AIC examination covered those issues identified during the planning deemed immaterial to the coordinated examination but were material to the AIC examination. Where deemed appropriate, transactions, activities, and similar items subsequent to 2021 were reviewed.

The examination was conducted in accordance with applicable statutory requirements of the *Code of Alabama 1975*, as amended, the Alabama Insurance Department regulations, bulletins, and directives, and in accordance with the procedures and guidelines promulgated by the NAIC, as deemed appropriate, and in accordance with generally accepted examination standards and practices. All accounts and activities of the Company were considered in accordance with the risk-focused examination process. This may include assessing significant estimates made by management and

evaluating management's compliance with statutory accounting principles. The examination does not attest to the fair presentation of the financial statements included herein. If, during the course of the examination an adjustment was identified, the impact of such adjustment was documented separately following the Company's financial statements.

The Company's 2017 through 2021 annual statements were compared with or reconciled to the corresponding general ledger account balances.

An examination of the Company's information systems (IS) was conducted concurrently with the financial examinations of all the companies. All the companies utilize the same systems, except TIC and TOIC, which have their own business operations for policyholders and claims. The IS examination included a review of management and organizational controls, system and program development controls, contingency planning controls, service provider controls, operations controls, processing controls, e-commerce controls, and network and internet controls for all companies in the coordinated examination.

Alabama performed a market conduct examination concurrently with the financial examination. The examination included reviews of the Company's territory, plan of operation, claims, policyholder complaints, marketing and sales, producers' licensing, policy forms and underwriting, and privacy standards. See "MARKET CONDUCT ACTIVITIES" on page 12 for further discussion of the Company's market conduct examination.

The Company maintains an Audit Services (AudSvc) Department, which is charged with performing the internal audit function for all companies. The AudSvc Department is subject to oversight by the Audit Committee, which is comprised of all outside directors. Reports generated by the AudSvc Department were made available to the examiners and were used in the examination as deemed appropriate. Risk Management and Compliance works with each business unit to document the process workflow, evaluate risks to the process, identify controls to mitigate those risks, and periodically test the effectiveness of those controls as required by the NAIC Model Audit Rule. The examiners reviewed the controls and procedures tested and requested the workpapers for specific ones which had been identified as significant to the key activities being examined. The workpapers were provided, retested, and utilized where deemed appropriate.

PricewaterhouseCoopers, LLP was the Company's certified public accountant (CPA) for all years under examination. The examiners reviewed the CPA's workpapers, copies of which were incorporated into the examination as deemed appropriate.

A signed certificate of representation for AIC was obtained during the course of the examination. In this certificate, management attested to having valid title to all assets and to the nonexistence of unrecorded liabilities as of December 31, 2021.

This examination includes significant findings of fact, as mentioned in the Code of Alabama, 1975, as amended, and general information about the insurer and its financial condition. There may be other items identified during the examination that, due to their nature (e.g., subjective conclusions, proprietary information, etc.), are not included within the examination report but separately communicated to other regulators and/or the Company.

ORGANIZATION AND HISTORY

The Company was incorporated March 11, 1955, as a mutual insurance company under the name American Service Mutual Insurance Company.

In December 1977, Alabama Farm Bureau Mutual Casualty Insurance Company (currently Alfa Mutual Insurance Company (AMIC)) obtained control of the Company pursuant to an agreement whereby AMIC acquired the Company's outstanding surplus notes, all directors of the Company resigned, and new directors designated by AMIC were elected.

Effective August 31, 1982, the Company was converted to a stock insurance company. The initial capitalization was effected by the sale of 500,000 shares of its common stock to Federated Guaranty Life Insurance Company (currently Alfa Life Insurance Corporation (ALIC)). The name of the Company was changed to Federated Guaranty Insurance Company.

On January 4, 1983, the holding company, now named Alfa Corporation (AC), was incorporated in Delaware under the name, Federated Guaranty Corporation. At that time, the stock of the Company as well as that of its parent, ALIC, was contributed to AC.

Effective May 1, 1987, the Alabama Farm Bureau Federation (AFBF) withdrew as a franchise member from the national Farm Bureau Federation and changed its name to Alabama Farmers Federation. The name of the Company was changed to Alfa Insurance Corporation.

During the interim from the Company's organization through 1987, the Company became affiliated with four other property and casualty insurers. They were AMIC,

AMGIC, AGIC and AMFIC. In 1987, an intercompany pooling agreement was formed between these five affiliates. The terms of the agreement provided that the affiliates cede all their direct business, reinsurance assumed business, and reinsurance ceded business to AMIC. The pooled business is then retroceded according to percentages provided in the pooling agreement. In 1989, an intercompany pooling committee, representing the boards of directors of the reinsurance pool participants, was established to review and approve any changes to the pooling agreement. In 2001, ASIC became a participant in the reinsurance pooling agreement. In 2005, AVIC became a participant in the agreement, and in 2007, AAIC became a participant. Effective April 16, 2008, the pooling agreement was amended to change the pool participation percentages.

AC, a Securities and Exchange Commission (SEC) registrant, was affiliated with AMIC, AMFIC and AMGIC (collectively the Mutual Group). The Mutual Group owned 54.8% of AC's common stock, their largest single investment. On April 15, 2008, the Mutual Group completed a merger transaction in which they acquired AC's common shares not previously owned. Each of these shares was canceled and converted into the right to receive \$22 in cash, without interest. As a result of the merger, AC became a wholly-owned subsidiary of AMIC (65%) and AMFIC (35%). Also as a result of the merger, AC's common stock ceased to trade on the NASDAQ Global Select market as of the close of trading on April 15, 2008, and the registration of AC's common stock under the Securities Exchange Act of 1934, as amended, was terminated.

At December 31, 2021, the Company had 3,000,000 shares of \$1 par value common stock authorized and 1,500,000 shares issued and outstanding. The Company did not have any preferred stock authorized, issued or outstanding. The Company's Gross paid-in and contributed surplus totaled \$32,447,957.

MANAGEMENT AND CONTROL

Stockholders

The Company is a stock corporation with ownership vested in its stockholder. At December 31, 2021, 100% of the issued and outstanding common stock was owned by Alfa Corporation (AC). The controlling interest in AC is held by Alfa Mutual Insurance Company (65%) and Alfa Mutual Fire Insurance Company (35%).

Board of Directors

Directors are elected at the annual stockholder's meeting and serve until their successors are elected and qualified, which is in accordance with the Company's Bylaws. The following directors were serving at December 31, 2021:

<u>Name and Residence</u>	<u>Principal Occupation</u>
James Louis Parnell Stanton, AL	Chairman of the Board, President and Chief Executive Officer Alfa Mutual Insurance Company
Angela Long Bradwell Montgomery, AL	Executive Vice President, General Counsel and Secretary Alfa Mutual Insurance Company
William Scott Forrest Montgomery, AL	Executive Vice President, Administration and Treasurer Alfa Mutual Insurance Company

Committees

Audit Committee

The Company appointed the Audit Committee of Alfa Mutual Insurance Company as its Audit Committee. The following individuals were serving as of December 31, 2021:

Jacob Calhoun Harper, Chairman
 Stephen Leonard Dunn
 Jonathan Sidney Hegeman
 Ronald Gray Vaughn, II
 George Ray Jeffcoat

Officers

The Company's Bylaws provide that its principal officers shall be a Chairman of the Board, President, one or more Vice Presidents, a Secretary, and a Treasurer. These officers shall be elected for one year by the Board of Directors at its annual meeting after the annual meeting of stockholders.

The following officers were elected by the Board of Directors and were serving as of December 31, 2021:

<u>Officer</u>	<u>Title</u>
James Louis Parnell	Chairman of the Board, President and Chief Executive Officer
Angela Long Bradwell	Executive Vice President, General Counsel and Secretary
William Scott Forrest	Executive Vice President, Administration and Treasurer
Kevin Scot Burke	Director, Actuarial Pricing / Appointed Actuary
William Thomas Coshatt Jr.	Executive Vice President, Operations
Mark Andrew Evans	Executive Vice President, Marketing
John Delane Hemmings Jr.	Senior Vice President, Chief Financial Officer, Chief Investments Officer
Bryan Daniel Hubbard	Senior Vice President, Claims
Julie Meadows Parish	Senior Vice President, Chief Accounting Officer

The Company did not include the full name of each officer on the jurat page of the 2021 Annual Statement. It was determined that the Company did not properly complete the jurat page in accordance with the NAIC Annual Statement Instructions which dictates that all required officers and directors “Show full name (initials not acceptable) and title...”

Conflicts of Interest

The Company has a written policy for the disclosure of conflicts between the Company’s interests and personal interests of its officers and employees. The process is performed on a biennial basis and is monitored by the Risk Management and Compliance Department. The Company’s procedures require the Board of Directors sign a written conflict of interest statement on an annual basis. These statements are maintained by the Company’s legal department. These files were reviewed and were determined to be complete and current. No material conflicts or exceptions were noted in the statements of the officers, employees, or Board of Directors for the period under examination.

CORPORATE RECORDS

The Articles of Incorporation (Articles) and *Bylaws*, as amended, were inspected and found to provide for the operation of the Company in accordance with usual

corporate practices and applicable statutes and regulations. During the period under examination, the Company did not amend the Articles or *Bylaws*.

Minutes of the Annual Membership meetings, Board of Directors and Board committees from January 1, 2017 to December 31, 2021 were reviewed. The minutes appeared to be complete with regard to recorded actions taken on matters before the respective bodies for deliberation and action.

HOLDING COMPANY AND AFFILIATE MATTERS

Holding Company

The Company is subject to the Alabama Insurance Holding Company Regulatory Act as defined in ALA. CODE §27-29-1 (1975). In connection therewith, the Company is registered with the Alabama Department of Insurance (ALDOI) as joint registrant of an Insurance Holding Company System. Appropriate filings required under the Holding Company Act were made from time to time by the Company as joint registrant. A review of the Company's filings during the period under review did not disclose any omissions in them.

Dividends to Stockholders

The following dividends were issued to the sole stockholder during the examination period:

<u>Year</u>	<u>Amount</u>
2017	\$4,600,000
2018	\$4,300,000
2019	\$3,900,000
2020	\$4,200,000
2021	\$4,200,000

Management and Service Agreements

Management and Operating Agreement

Alfa Mutual Insurance Company (AMIC) has a Management and Operating Agreement, (the M&O Agreement), under which AMIC provides substantially all of the facilities, management, and other operation services for Alfa Mutual Fire Insurance Company (AMFIC), Alfa Mutual General Insurance Company (AMGIC), Alfa Life Insurance Corporation (ALIC), Alfa Insurance Corporation (AIC), Alfa

General Insurance Corporation (AGIC), Trexis One Insurance Corporation (TOIC), Trexis Insurance Corporation (TIC), Alfa Alliance Insurance Corporation (AAIC), Alfa Financial Corporation (AFC), Alfa Corporation (AC), and certain non-insurance subsidiaries and affiliates.

AMIC pays the employees for services rendered and is reimbursed on an allocated percentage basis. Each company may employ personnel in its own name, upon written consent of AMIC. The company will be solely responsible for the employment, supervision, payment and discharge of all such personnel.

Each company will pay and/or reimburse AMIC the percentages of expense incurred by AMIC, based on special expense allocation studies. The expense allocation rates are variable and based upon business activity metrics that differ between companies, depending upon the type of business, marketing and distribution method, location, etc. The companies understand and agree that the metrics may change from time to time, and not every company will have the same metrics applied to its expense allocation. All books of accounts, documents and records relating to such expenses will at all times be open to inspection by the company to which the records are applicable.

The M&O Agreement was amended on December 1, 2017, with the purpose of changing the names of Alfa Specialty Insurance Corporation and Alfa Vision Insurance Corporation to TOIC and TIC, respectively. AMIC and any company may terminate its participation by giving written notice to all Parties not less than thirty days after deliver or mailing. In the event one or more companies terminate its participation, AMIC would reallocate the expense allocations on an equitable basis.

Monthly Billing Service Agreement

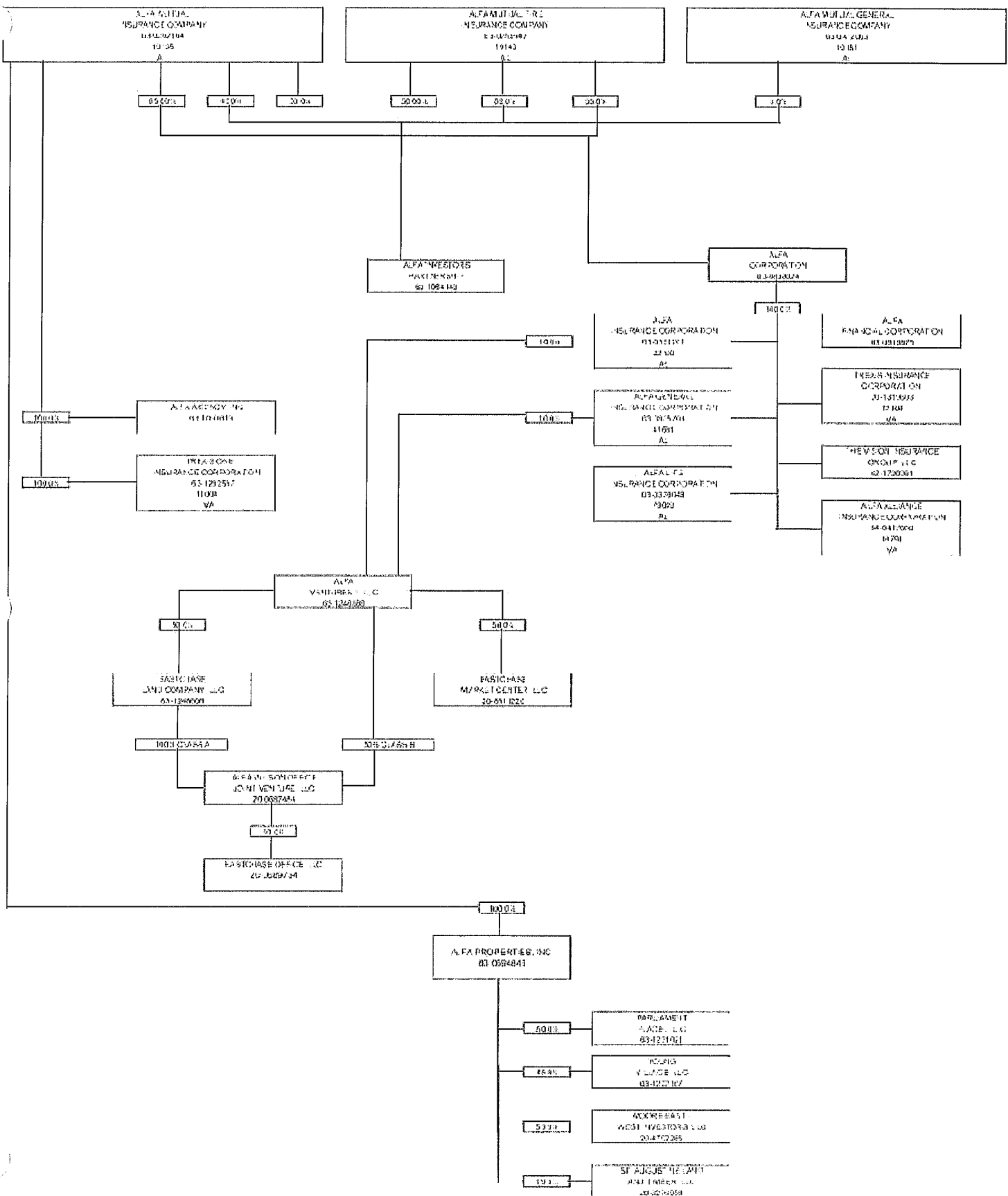
AFC entered into a Monthly Billing Service Agreement (Agreement) January 1, 2005 with AMIC, AMGIC, AMFIC, AIC and AGIC (Insurers) whereby AFC grants a perpetual nontransferable license to use its software to process monthly billing payment methods for their insureds. The Insurers will pay AFC a non-refundable processing fee on a monthly basis. AFC is obligated to provide the software to the Insurers without further charge or obligation and to provide any and all updates to the software. The Agreement may be canceled by any party by giving to the other parties notice of cancellation in writing thirty days prior to the date cancellation is to become effective.

Consolidated Tax Allocation Agreement

Alfa Corporation (Parent) is party to a Tax Allocation Agreement (Agreement) dated April 11, 2014 with AIC, AGIC, ALIC, TIC, and various non-insurance subsidiaries. The Parent would file a U.S. consolidated income tax return for each taxable period. Each Subsidiary would execute and file consents, elections and other documents required or appropriate for the proper filing of the return. The Agreement allocates consolidated tax liability among the members and provides for allocation and payment of any refund. If the agreement is terminated, it would continue in effect with respect to any payment or refunds due for all taxable periods prior to termination. The agreement was amended on December 1, 2017, with the purpose of changing the names of ASIC and AVIC to TOIC and TIC, respectively.

Organizational Chart

The following chart represents the corporate affiliations of the Company as of December 31, 2021.



PENSION, STOCK OWNERSHIP, AND INSURANCE PLANS

The Company had no employees; therefore, it had no formal employee or agent welfare program. Its operations were conducted by the personnel of AMIC under the terms of the Management and Operating Agreement (see page 8).

SCHEDULE OF SPECIAL DEPOSITS

The Company had the following special deposits at December 31, 2021, as required or permitted by law:

<u>States, etc.</u>	<u>Book/Adjusted Carrying Value</u>	<u>Fair Value</u>
Alabama	\$ 298,872	\$ 295,931
Georgia	84,534	84,070
Total	\$ 383,406	\$ 380,001

FINANCIAL CONDITION / GROWTH OF THE COMPANY

The following table sets forth the significant items indicating the growth and financial condition of the Company for the period under review:

Year	Admitted Assets	Liabilities	Capital & Surplus	Premiums Earned
2017	\$ 95,781,676	\$ 52,194,164	\$ 43,587,512	\$ 38,878,528
2018	\$ 94,633,416	\$ 54,954,736	\$ 39,678,680	\$ 40,933,851
2019	\$ 98,225,713	\$ 55,530,679	\$ 42,695,034	\$ 40,079,932
2020	\$ 101,273,293	\$ 58,733,264	\$ 42,540,030	\$ 40,975,599
2021	\$ 102,021,036	\$ 59,011,724	\$ 43,009,312	\$ 42,329,838

MARKET CONDUCT ACTIVITIES

Plan of Operation

The Company did not write business in Alabama during the examination period. All of the Company's business was produced in Georgia and Mississippi. The Company marketed its products through captive producers. At December 31, 2021, the Company had 139 service centers in Georgia and Mississippi. The majority of the Company's direct premiums were from private passenger automobile, homeowner, commercial lines and fire lines of business.

Territory

At December 31, 2021, the Company was licensed to transact property and casualty business in the following states: Alabama, Georgia and Mississippi. The Certificates of Authority from the respective jurisdictions were inspected and found to be in effect at December 31, 2021.

Underwriting and Rating

The Company did not write business in Alabama during the examination period; therefore, no underwriting and rating procedures were performed for this Company.

Marketing and Sales

The Company's advertising materials were reviewed for the examination period. The examiners' review did not reveal any advertisements that misrepresented policy benefits, made unfair or incomplete comparisons with other policies, or made false, deceptive or misleading statements or representations.

The Company's web site www.alfainsurance.com was reviewed and found to include the following links: Auto, Life, Home, and Membership. Also, the site provided links to finding an agent, getting a quote, customer care, reporting a claim and making a payment.

Producers are not allowed to use their own advertising materials. All advertising materials must be ordered through the Alfa InTouch advertising portal where approved products are available. Only basic Alfa logo and name for prepared materials are permitted and must be sent to and approved by Marketing prior to use.

Claims Review

The Company did not write business in Alabama during the examination period; therefore, no claims were reviewed.

Complaint Handling

The Company did not write business in Alabama during the examination period; therefore, complaint handling was not reviewed.

Producers' Licensing

The Company did not write business in Alabama during the examination period; therefore, no review was conducted for Producers' Licensing.

Privacy

The Company's Privacy Notice disclosed the types of information collected, the way the information is used, the manner in which information is collected and how the information is protected. The Privacy Notice also specifically stated the customers' rights, and the Company does not disclose any information to any non-affiliated third parties unless permitted to do so by law.

It was determined the Company complied with the privacy requirements of ALA. ADMIN. CODE 482-1-122 (2002).

REINSURANCE

Intercompany Pooling Agreement

The Intercompany Pooling Agreement, effective January 1, 2009 and amended and restated as of December 1, 2017, is between Alfa Mutual Insurance Company ("AMIC") and the following entities (the "Associates"):

- Alfa Mutual Fire Insurance Company (AMFIC)
- Alfa Mutual General Insurance Company (AMGIC)
- Alfa Insurance Corporation (AIC)
- Alfa General Insurance Corporation (AGIC)
- Trexis Insurance Corporation (TIC)
- Trexis One Insurance Corporation (TOI)
- Alfa Alliance Insurance Corporation (AAIC)

The purpose of this Pooling Agreement is to increase the solvency protection for policyholders and shareholders by increasing available surplus to draw on in the event of a large catastrophe. The Pooling Agreement also serves to increase geographic diversification, increase access to external capital markets, and spread and stabilize the writings of each of the participating companies by sharing underwriting operations.

Under this Pooling Agreement, all of the Associates cede 100% of their books of business and net liabilities to AMIC. In turn, the total pooled amounts are then ceded

back to the participating companies according to percentages outlined in the Agreement. The following pooling percentages were in effect at December 31, 2021:

AMIC	42%
AMFIC	38%
AMGIC	6%
AIC	3%
AGIC	4%
TIC	4%
TOIC	3%

Reinsurance Assumed

Other than the Intercompany Pooling Agreement listed above, the Company had no additional reinsurance assumed at December 31, 2021.

According to Schedule F - Part 1 of the Company's 2021 Annual Statement, the total assumed premium as of December 31, 2021 was \$42,984,000.

Reinsurance Ceded

Intercompany Traditional Excess Catastrophe Reinsurance Contract

This intercompany contract, effective June 1, 2021, is between AGIC, AIC, AMIC, AMGIC, ("Reinsureds") and AMFIC ("Reinsurer"). This reinsurance agreement has an allocation component that mirrored the terms of the external catastrophe reinsurance contracts issued to AMFIC. AMFIC secures external reinsurance for the pool and then executes an internal reinsurance agreement that mirrors the outside reinsurance agreement. AMFIC essentially acts as a pass through entity. The purpose of this agreement is to fairly divide the costs of reinsurance among the participants in the intercompany pooling arrangement. This contract defines participation percentages between the Reinsureds. Under this agreement, the Reinsureds retain and are liable for the first amount of ultimate net loss for each excess layer. The following schedule defines the retentions, limits, and participation rates by company:

	Traditional Excess Catastrophe June 1, 2021			Multi-Year Traditional Excess Catastrophe June 1, 2021	
	First Excess	Second Excess	Third Excess	First Excess	Second Excess
Company's Retention	\$100,000,000	\$200,000,000	\$550,000,000	\$100,000,000	\$200,000,000

Reinsurer's Per Occurrence Limit	\$100,000,000	\$350,000,000	\$50,000,000	\$100,000,000	\$350,000,000
Reinsurer's Term Limit	\$200,000,000	\$700,000,000	\$100,000,000	\$200,000,000	\$700,000,000
Participation Rate:					
AMIC	82.79%	82.79%	82.79%	82.79%	82.79%
AMGIC	4.19%	4.19%	4.19%	4.19%	4.19%
AMFIC	2.84%	2.84%	2.84%	2.84%	2.84%
AIC	8.74%	8.74%	8.74%	8.74%	8.74%
AGIC	1.44%	1.44%	1.44%	1.44%	1.44%

The external reinsurance agreement that is mirrored by this internal agreement reinsured the participating companies for catastrophe losses exceeding the retention level of \$100 million. Losses below the retention level are shared on a percentage basis by the Intercompany Pooling Agreement.

Intercompany Reinstatement Premium Protection Reinsurance Contract

This intercompany contract, effective June 1, 2021, is between AGIC, AIC, AMIC, AMGIC, and AMFIC ("Reinsureds") and AMFIC ("Reinsurer"). Under this contract, the Reinsurer agrees to indemnify the Reinsureds for 100% of any reinstatement premium which the Reinsureds pay or become liable to pay as a result of losses arising out of loss occurrences commencing during the term of this contract under the provisions of certain external reinsurance contracts between AMFIC and external reinsurers ("Original Contracts"). This contract follows the terms, conditions, exclusions, definitions, warranties, and settlements of the Original Contracts.

Liability Excess of Loss Reinsurance Agreement

This agreement, effective June 1, 2021, is between AMIC, AGIC, AIC, AMFIC, and AMGIC as ceding companies ("Reinsured") and American Agricultural Insurance Company as reinsurer ("American"). American agrees to reimburse the Reinsured, on an excess of loss basis, for its share of the amount of ultimate net loss that the Reinsured has paid as a result of any one loss event arising under certain classified lines of business.

Maximum Policy Limits:

- Per Occurrence BI/PD: \$2,000,000
- Employer's Liability: Same as BI/PD

Property Per Risk and Coded Excess Reinsurance Agreement

This agreement, effective June 1, 2021, is between AMIC, AGIC, AIC, AMFIC, and AMGIC as ceding companies ("Reinsured") and American Agricultural Insurance Company as reinsurer ("American"). American agrees to reimburse the Reinsured, on an excess of loss basis for its share of each loss, to each risk, as a result of each occurrence arising under certain classified lines of business.

There are two layers of coverage provided under this agreement, Layer 1 - Property Per Risk and Layer 2 - Coded Excess. Each Layer shall attach at its Attachment Point as shown in the table below. As respects each Layer, American shall be liable for the amount of loss, to each risk, as a result of each occurrence that exceeds the Attachment Point, multiplied by the AAIC Share.

	Layer 1 Property Per Risk	Layer 2 Coded Excess
Maximum Ceded Loss	\$4,000,000	\$15,000,000
Attachment Point	\$1,000,000	\$4,000,000
Limit of Liability	\$3,000,000	\$11,000,000
AAIC Share	75%	100%

Umbrella Quota Share Reinsurance Agreement

This agreement, effective June 1, 2021, is between AMIC, AGIC, AIC, AMFIC, and AMGIC as ceding companies ("Reinsured") and American Agricultural Insurance Company as reinsurer ("American"). American agrees to reimburse the Reinsured, on a quota share basis, for American's Reinsurance Percentage (specified by layer and Class Group) of the amount of ultimate net loss that the Reinsured has paid as a result of any one loss event involving any new or renewal umbrella policies issued by the Reinsured to a qualified risk.

American's maximum liability under this agreement, including (where applicable) its aggregate limit, shall correspond to the Reinsurance Percentage of Treaty Capacity for each Policy Limit Layer included under any Class Group. Aggregate limits must be included in all commercial umbrella policies subject to this agreement.

ACCOUNTS AND RECORDS

The Company utilizes a centralized processing environment for the majority of its daily business requirements. This environment includes mainframe operations, server

clusters, as well as mid-range (IBM AS400) computers at TIC and TOIC. The Company operates a web site that has limited commerce functionality. Overall, the Company has a highly complex IT environment.

FINANCIAL STATEMENT INDEX

The following financial statements are based on the statutory financial statements filed by the Company with the Alabama Department of Insurance and present the financial condition of the Company for the period ending December 31, 2021. The accompanying comments on the financial statement reflect any examination adjustments to the amount reported in the annual statement and should be an integral part of the financial statements.

Statement of Assets.....	20
Statements of Liabilities, Surplus and Other Funds	21
Statement of Income.....	22
Capital and Surplus.....	23

ALFA INSURANCE CORPORATION
STATEMENT OF ASSETS
FOR THE YEAR ENDED DECEMBER 31, 2021

Assets	Assets	Nonadmitted Assets	Net Admitted Assets
Bonds	\$51,014,742	-	\$51,014,742
Preferred Stocks	1,120,500	-	1,120,500
Common Stocks	12,938,600	-	12,938,600
Cash	4,064,139	-	4,064,139
Other invested assets	9,091,727	38,318	9,053,410
Subtotals, cash and invested assets	\$78,229,708	\$38,318	\$78,191,390
Investment income due and accrued	539,053	-	539,053
Premiums and considerations			
Uncollected premiums and agents' balances in the course of collection	4,261,219	544	4,260,675
Deferred premiums and agents' balances and installments booked but deferred and not yet due	6,654,713	470	6,654,243
Reinsurance			
Amounts recoverable from reinsurers	10,899,524	-	10,899,524
Net deferred tax asset	1,176,502	-	1,176,502
Electronic data processing equipment and software	51,357	51,357	-
Furniture and equipment, including health care delivery assets	378	378	-
Receivables from parent, subsidiaries and affiliates	325,236	25,587	299,649
Aggregate write-ins for other than invested assets	10,898	10,898	(1)
TOTAL ASSETS	\$102,148,588	\$127,552	\$102,021,036

THE NOTES IMMEDIATELY FOLLOWING THE FINANCIAL STATEMENTS IN THIS REPORT ARE AN INTEGRAL PART THEREOF.

ALFA INSURANCE CORPORATION
STATEMENT OF LIABILITIES, SURPLUS AND OTHER FUNDS
FOR THE YEAR ENDED DECEMBER 31, 2021

Liabilities	Current Year
Losses	\$12,741,507
Reinsurance payable on paid losses and loss adjustment expenses	3,474,862
Loss adjustment expenses	1,967,046
Commissions payable, contingent commissions and other similar charges	20,909
Other expenses	16,643,004
Taxes, licenses and fees	2,708,624
Current federal and foreign income taxes	21,236
Unearned premiums	14,897,451
Advance premium	368,519
Ceded reinsurance premiums payable	(11,839,632)
Amounts withheld or retained by company for account of others	60,845
Remittances and items not allocated	75,219
Drafts outstanding	8,046,702
Payable to parent, subsidiaries and affiliates	9,815,828
Aggregate write-ins for liabilities	9,604
TOTAL LIABILITIES	\$59,011,724
Aggregate write-ins for special surplus funds	10,346,717
Common capital stock	1,500,000
Gross paid in and contributed surplus	32,447,957
Unassigned funds	(1,285,362)
Surplus as regards policyholders	\$43,009,312
TOTAL LIABILITIES, SURPLUS, AND OTHER FUNDS	\$102,021,036

**THE NOTES IMMEDIATELY FOLLOWING THE FINANCIAL STATEMENTS IN THIS REPORT
ARE AN INTEGRAL PART THEREOF.**

ALFA INSURANCE CORPORATION
STATEMENT OF INCOME
FOR THE YEAR ENDED DECEMBER 31, 2021

<u>Underwriting Income</u>	2021	2020	2019	2018	2017
Premiums earned	42,329,838	40,975,599	40,079,932	40,933,851	38,878,528
<u>DEDUCTIONS</u>					
Losses incurred	28,191,299	29,641,968	24,081,749	28,464,905	27,197,999
Loss adjustment expenses	2,293,721	2,311,825	2,119,346	2,438,455	2,255,967
Other underwriting expenses incurred	11,369,102	11,552,130	11,267,363	11,828,206	11,642,818
Aggregate write-ins for underwriting deductions	(3,350)	(11,106)	440	(11,760)	(7,345)
Total underwriting deductions	41,850,771	43,494,817	37,468,898	42,719,806	41,089,439
Net underwriting gain (loss)	479,067	(2,519,218)	2,611,035	(1,785,956)	(2,210,911)
<u>INVESTMENT INCOME</u>					
Net investment income earned	1,843,404	1,421,457	2,114,251	1,961,154	1,824,257
Net realized capital gains (losses) less capital gains tax	1,959,643	1,053,291	179,982	333,474	559,424
Net investment gain (loss)	3,803,047	2,474,748	2,294,233	2,294,628	2,383,681
<u>OTHER INCOME</u>					
Net gain (loss) from agents' or premium balances charged off	(119,717)	(200,547)	(245,157)	(245,512)	(212,954)
Finance and service charges not included in premiums	463,326	591,236	754,551	835,027	943,360
Aggregate write-ins for miscellaneous income	54,322	36,459	36,637	13,909	8,813
Total other income	397,931	427,148	546,031	603,424	739,219
Net income before dividends to policyholders, after capital gains tax and before all other federal and foreign income taxes	4,680,045	382,678	5,451,298	1,112,097	911,989
Federal and foreign income taxes incurred	316,796	469,812	1,470,485	(175,831)	372,351
Net income	4,363,249	(87,134)	3,980,813	1,287,928	539,638

THE NOTES IMMEDIATELY FOLLOWING THE FINANCIAL STATEMENTS IN THIS REPORT ARE AN INTEGRAL PART THEREOF.

ALFA INSURANCE CORPORATION
CAPITAL AND SURPLUS
FOR THE YEAR ENDED DECEMBER 31, 2021

	2021	2020	2019	2018	2017
Surplus as regards policyholders, December 31, prior year	42,540,030	42,695,034	39,678,680	43,587,512	46,847,630
Net income	4,363,249	(87,134)	3,980,813	1,287,928	539,638
Change in net unrealized capital gains or (losses) less capital gains tax	(285,387)	2,715,405	1,618,890	(928,885)	926,771
Change in net deferred income tax	(1,401,670)	(120,638)	793,092	(267,259)	(322,141)
Change in nonadmitted assets	1,993,089	1,537,363	523,559	299,387	195,614
Dividends to stockholders	(4,200,000)	(4,200,000)	(3,900,000)	(4,300,000)	(4,600,000)
Change in surplus as regards policyholders for the year	469,282	(155,004)	3,016,354	(3,908,832)	(3,260,118)
Surplus as regards policyholders, December 31 current year	43,009,312	42,540,030	42,695,034	39,678,680	43,587,512

**THE NOTES IMMEDIATELY FOLLOWING THE FINANCIAL STATEMENTS IN THIS REPORT
ARE AN INTEGRAL PART THEREOF.**

NOTES TO FINANCIAL STATEMENTS

Analysis of Changes to Surplus

No adjustment was made to surplus as a result of the examination.

CONTINGENT LIABILITIES AND PENDING LITIGATION

The review of contingent liabilities and pending litigation included an inspection of representations made by the Company's managers, a review of the Company's records and files for the period under examination, and a review of the records subsequent to the examination date. The reviews performed did not identify any items that would have a material effect on the Company's financial condition in the event of an adverse outcome.

The Company has committed to invest \$10,346,717 in subsidiaries, controlled, and affiliated entities under SSAP No. 97 - *Investments in Subsidiary, Controlled, and Affiliated Entities* and in partnerships, which are investments in joint ventures, partnerships and limited liability companies under SSAP No. 48 - *Joint Ventures, Partnerships, and Limited Liabilities Companies*. This amount has been reported as special surplus.

SUBSEQUENT EVENTS

The COVID-19 pandemic has continued to develop throughout 2021 and 2022, with significant uncertainty remaining regarding the full effects of COVID-19 on the U.S. and Global insurance and reinsurance industry. However, COVID-19 has seen a significant decrease in reported cases during 2022. At the time of releasing this report, the examination's review of the Company noted that there has not been a significant impact on the Company. The Alabama Department of Insurance has been in communication with the Company regarding the impact of COVID-19 on its business operations and financial position. The Alabama Department of Insurance continues to closely monitor the impact of the pandemic on the Company and will take necessary action if a solvency concern arises.

Effective March 1, 2022, TIC acquired Arizona Automobile Insurance Company (AZ Auto) of Arizona. Effective

December 9, 2022, TIC and TOIC re-domesticated to the State of Tennessee.

COMPLIANCE WITH PREVIOUS RECOMMENDATIONS

A review was conducted during the current examination with regard to the Company's compliance with the recommendations made in the previous examination report. This review indicated that the Company had satisfactorily complied with prior examination recommendations.

COMMENTS AND RECOMMENDATIONS

Jurat Page – Page 7

It is recommended that the Company complete the Annual Statement jurat page in accordance with the NAIC Annual Statement Instructions which dictates all required officers and directors "Show full name (initials not acceptable) and title..."

CONCLUSION

Acknowledgment is hereby made of the courteous cooperation extended by the officers and employees of the Company during the course of this examination.

The customary insurance examination procedures, as recommended by the NAIC, have been followed to the extent appropriate in connection with the verification and valuation of assets and determination of liabilities set forth in this report.

In addition to the undersigned, the following examiners, representing the Alabama Department of Insurance, participated in certain phases of this examination:

Cristi Owen, CFE, CPA, AMCM, CPM
Theo Goodin, AIE, ALMI, MCM
Mora Perkins-Taylor, MCM
Jacob Grissett, CFE (Fraud)
David Martin
Andarius Vincent
Jackson Goodwin

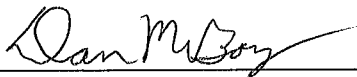
Merlinos & Associates, Inc. was contracted to perform the actuarial portions of this examination:

Greg Fanoë, FCAS, MAAA

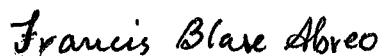
Noble Consulting Services, Inc. was contracted to perform the information technology portions of this examination:

Stefan Obereichholz-Bangert, AES, CISA, CISM

Respectfully submitted,



Dan McBay, CFE, CPA, CGMA, ARe, Noble Consulting Services, Inc.
Examiner-in-Charge
State of Alabama Department of Insurance



Francis Blase Abreo, CFE
Insurance Examination Supervisor
Alabama Department of Insurance